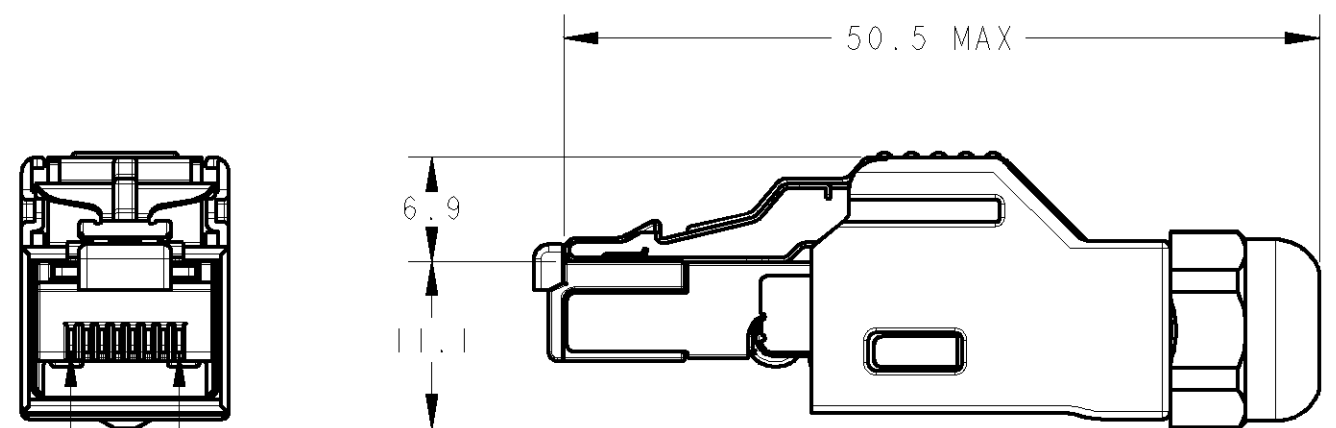


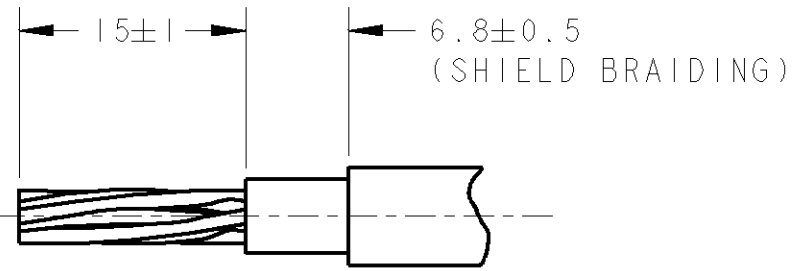
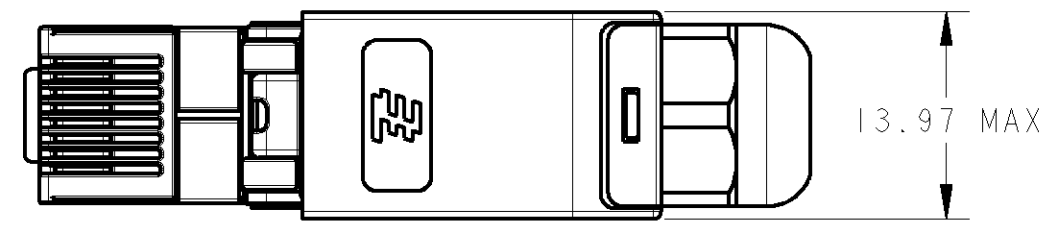
THIS DRAWING IS UNPUBLISHED. RELEASED FOR PUBLICATION 20  
 © COPYRIGHT 20 BY TYCO ELECTRONICS CORPORATION. ALL RIGHTS RESERVED.

LOC	DIST	REVISIONS					
J	-	P	LTR	DESCRIPTION	DATE	DWN	APVD
		A		RELEASED	18AUG2006	J.A	D.M
		B		REVISED	20APR2009	T.S	A.O

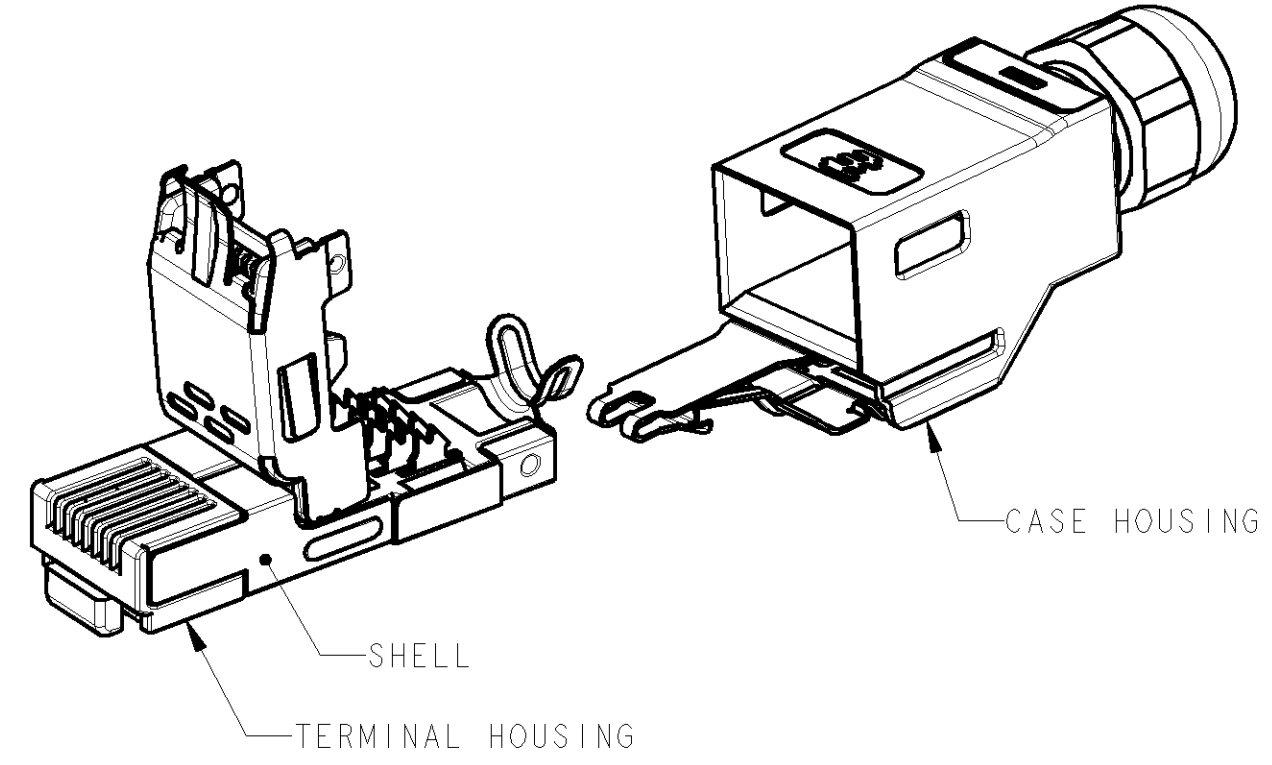
- 1 : AS SHOWN



CONTACT 8  
CONTACT 1



RECOMMENDED STRIPPING LENGTH



- 1. MATERIAL : CASE HOUSING-POLYCARBONATE.  
TERMINAL HOUSING-NYLON.  
CONTACT-COPPER ALLOY.  
SHELL-COPPER ALLOY.
- 2. FINISH : CONTACT-UNDERPLATE: Ni  
CONTACT AREA: Au  
SHELL: Ni

COLOR ALLOCATION OF TERMINAL WIRE TO RJ45 CONTACT

CONTACT NO.	WIRE COLOR	
	568A	568B
1	WHITE/GREEN	WHITE/ORANGE
2	GREEN	ORANGE
3	WHITE/ORANGE	WHITE/GREEN
4	BLUE	BLUE
5	WHITE/BLUE	WHITE/BLUE
6	ORANGE	GREEN
7	WHITE/BROWN	WHITE/BROWN
8	BROWN	BROWN

<small>THIS DRAWING IS A CONTROLLED DOCUMENT FOR TYCO ELECTRONICS CORPORATION IT IS SUBJECT TO CHANGE AND THE CONTROLLING ENGINEERING ORGANIZATION SHOULD BE CONTACTED FOR THE LATEST REVISION.</small>	
DIMENSIONS: 単位: ㎜ mm	TOLERANCES UNLESS OTHERWISE SPECIFIED: 一般公差 ±0.3 0 PLC ± 1 PLC ± 2 PLC ± 3 PLC ± 4 PLC ± ANGLES ±3
	MATERIAL 材料 - FINISH 仕上 -

DWN	J. AKASAKA	29NOV2005
CHK	D. MITSUGI	1DEC2005
APVD	D. MITSUGI	1DEC2005
PRODUCT SPEC	108-78381	
APPLICATION SPEC	114-5402	
WEIGHT	-	
CUSTOMER DRAWING		

WIRE RANGE 絶合電線断面積	-	INSULATION DIA 被覆外径	φ6.5
Tyco Electronics Kawasaki, Japan		Tyco Electronics AMP K.K. Kawasaki, Japan	
NAME 名称 <b>RJ 45 CONNECTOR INDUSTRIAL ETHERNET IP20 8POS 180DEG STRD WIRE</b>			
SIZE	A3	CAGE CODE	-
DRAWING NO 番号	C-1903527		RESTRICTED TO
SCALE 尺度		SHEET	OF
		REV	B